

KPFD-8 junction box



product description

The KPFD-8 junction box is intended for use with the Flintec RC3D digital truck scale load cell range. It's ideally suited for use in way bridges and silos.

Constructed from polyester, a total of 8 load cells can be connected together. The junction box is rated IP66 for outdoor use. It also includes surge arrestors for lightning protection. Load cell connection is via screw terminals.

applications

Universal applications in weighing machinery, process weighing, test & measurement and process automation and control sectors.

key features

Polyester construction

Environmental protection rated to IP66

Surge protection circuit

For connection of up to 8 load cells

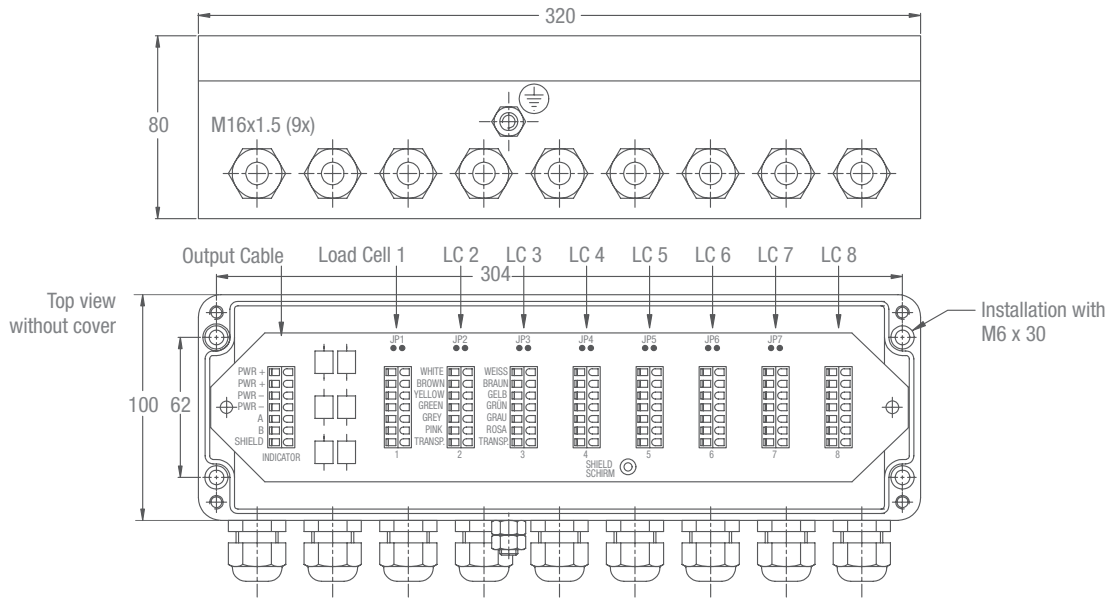
Cable connection with screw terminals



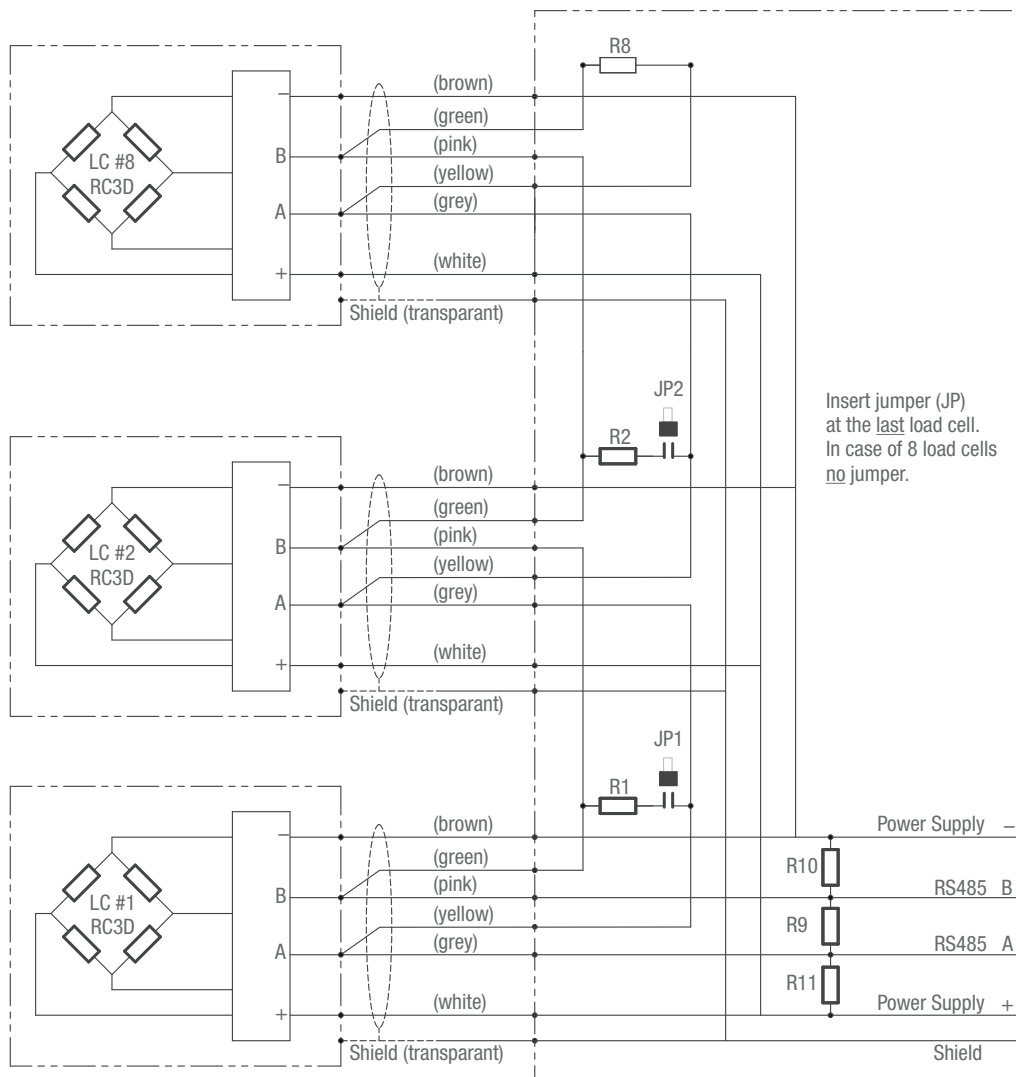
RoHS
compliant



product dimensions (mm)



wiring



Notes

Cable gland M16x1.5 for cable diameter 5...9 mm.

Dimensions and specifications are subject to change without notice.

