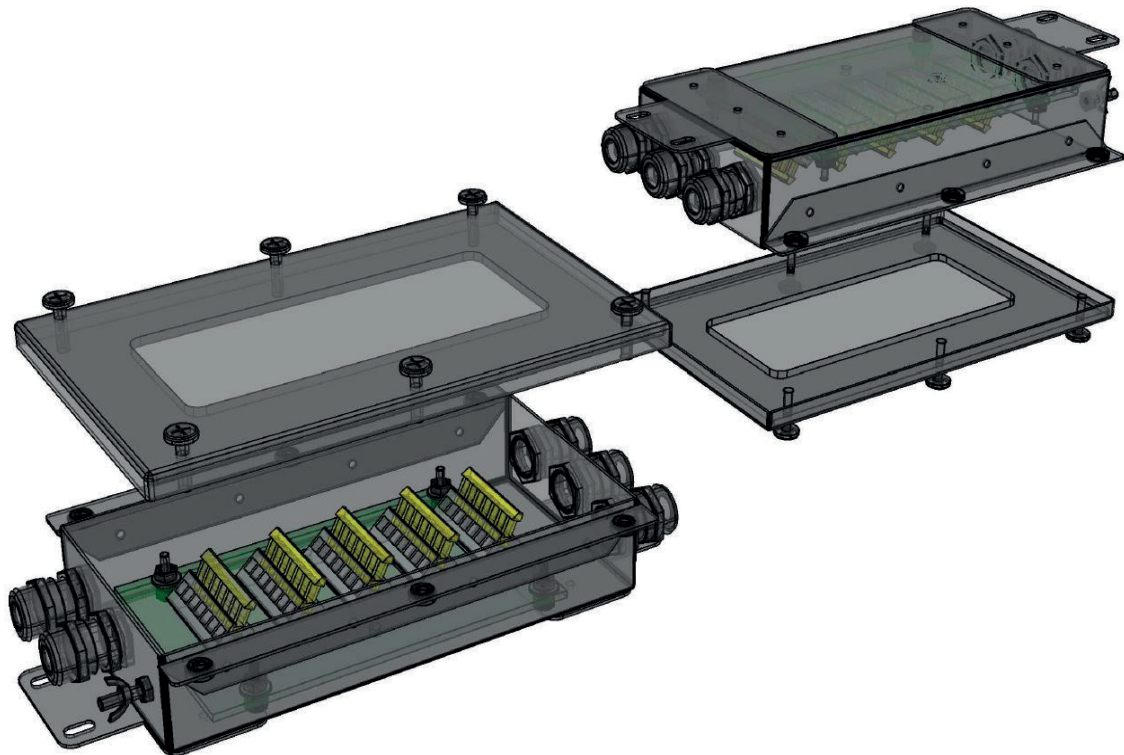


# KEK-4 junction box



## product description

The stainless steel junction box is designed to connect up to 4 load cells in parallel. The junction box can be connected with a shielded 6-wire cable to the instrumentation. Corner trimming by resistors.

## key features

---

Connection for 4 load cells

---

Rugged industrial box

---

Cable connection with clamping terminals

---

Protection IP65

---

Stainless steel construction

---



