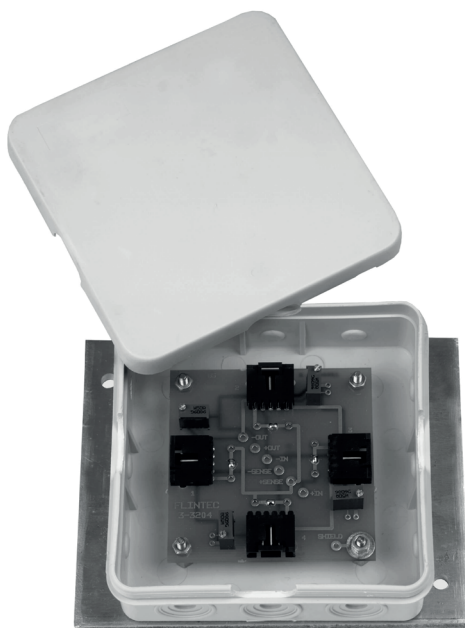


# KPB-4 junction box



## product description

The KPB-4 junction box is designed to connect up to 4 planar beam load cells via an AMP #103957-4 connector.

Constructed from plastic, the housing is mounted on an aluminium plate for ease of installation. Connection from the junction box to instrumentation should be completed by using a 6-wire cable.

Two versions of the junction box are available that allow corner trimming by potentiometers – one for high accuracy and one for general purpose weighing:

with 10  $\Omega$  potentiometer for PB-C3 quality,  
with 50  $\Omega$  potentiometer for PB-GP quality.

## applications

Bench scales, packaging machinery, general weighing applications

## key features

Plastic construction on aluminium baseplate

Environmental protection rated to IP54

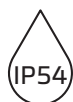
Connection for up to 4 load cells

Load cell connection via AMP connectors

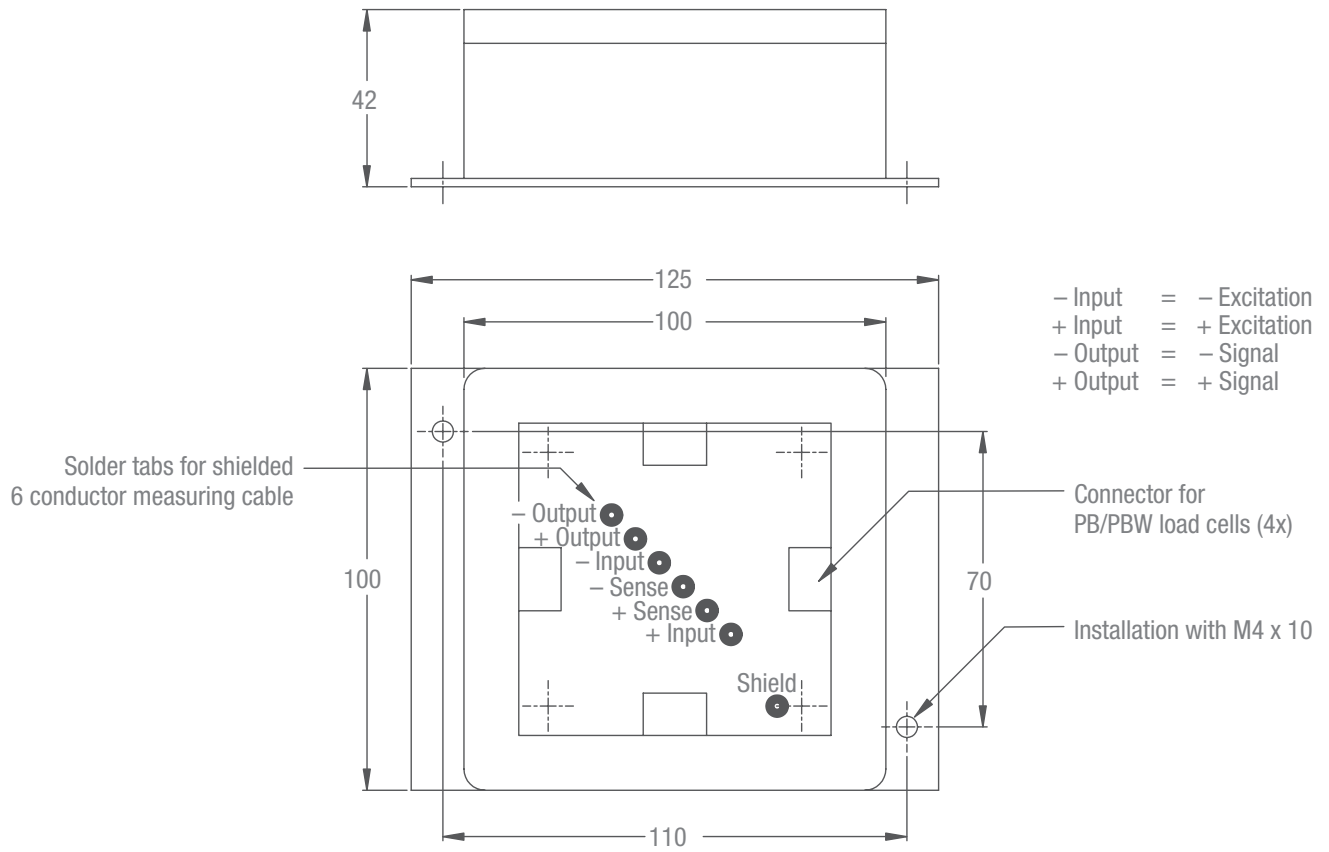
Corner trimming via potentiometers



RoHS  
compliant



## product dimensions (mm)



Dimensions and specifications are subject to change without notice.

