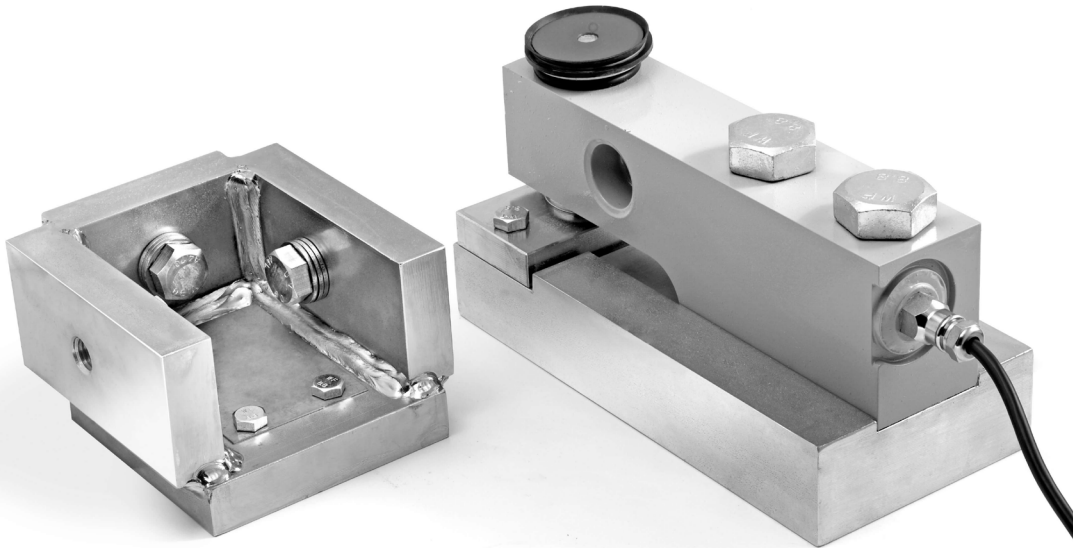


# 52-01HD weigh module



## product description

Flintec load cell supports are designed to prevent unwanted forces from affecting load cell performance.

The type 52-01HD weigh module with type SB2 load cell is designed for high capacity, heavy duty, platform scales. It is especially well suited for scales in the steel industry. For example, ladle and scrap basket scales where the load is handled with crane on and off the scale and frequent overloading occurs. For scrap basket scales the built-in overload stop efficiently protects the load cell from impact loads when scrap is loaded and being dropped from sometimes several meters height into the basket.

Available as 3-directional bumper module resp. free sliding module. The bumpers of the 3-directional module can be rearranged to achieve a number of different bumping configurations. See examples on subsequent pages. A machined slot in the base plate prevents the load cell from sliding when subjected to high side forces. An overload stop can be added as an option and protects the load cell from overloads up to approx. 500% of rated load.

## applications

High capacity platform scales, steel ladle weighing systems.

## key features

Capacities of 20t and 45t

Ideal for high capacity, heavy duty, platform scales

Blind hole load introduction

W&M certified

Extremely rugged design

Easy installation by welding

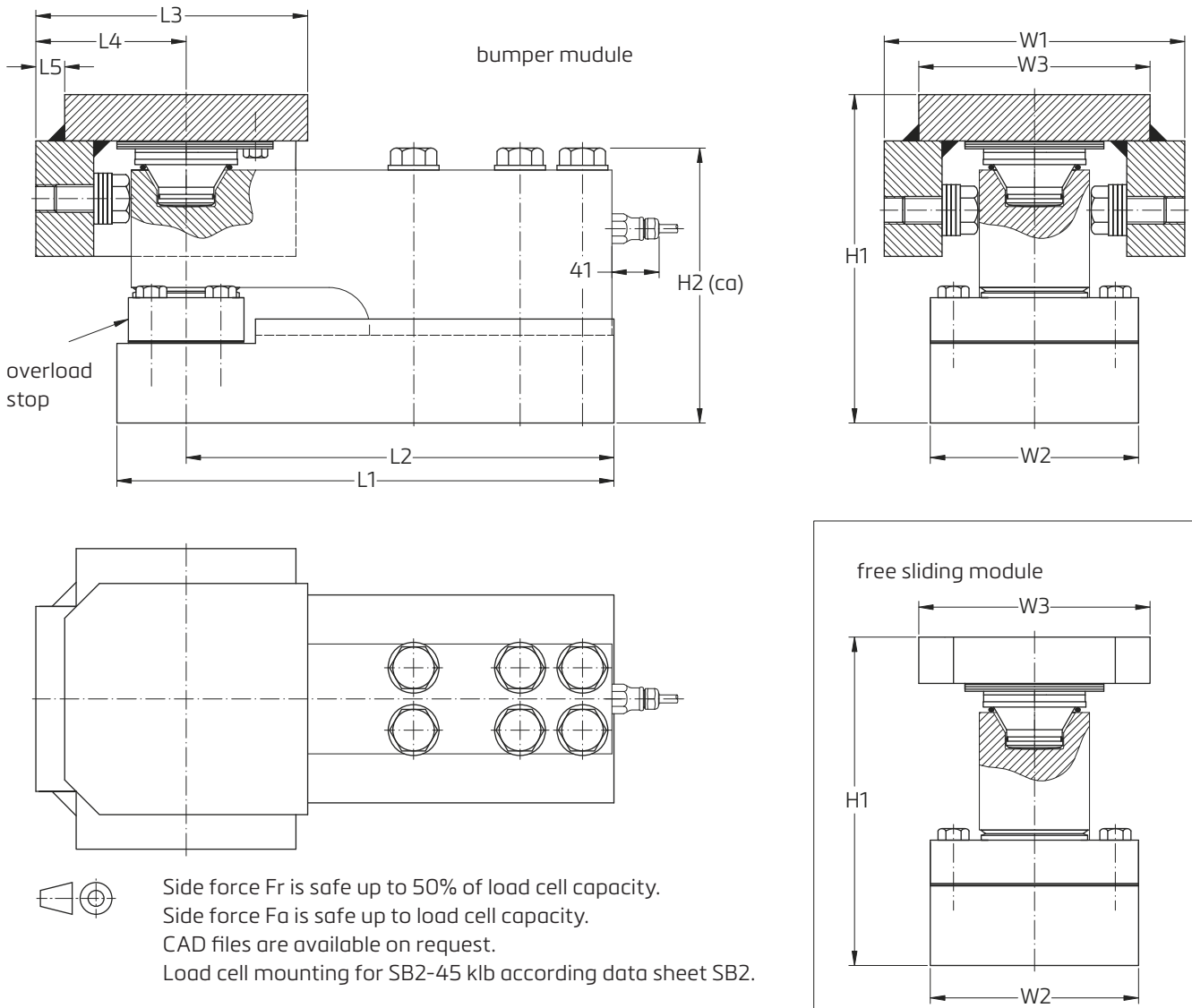
## options

Overload-stop

RoHS  
compliant

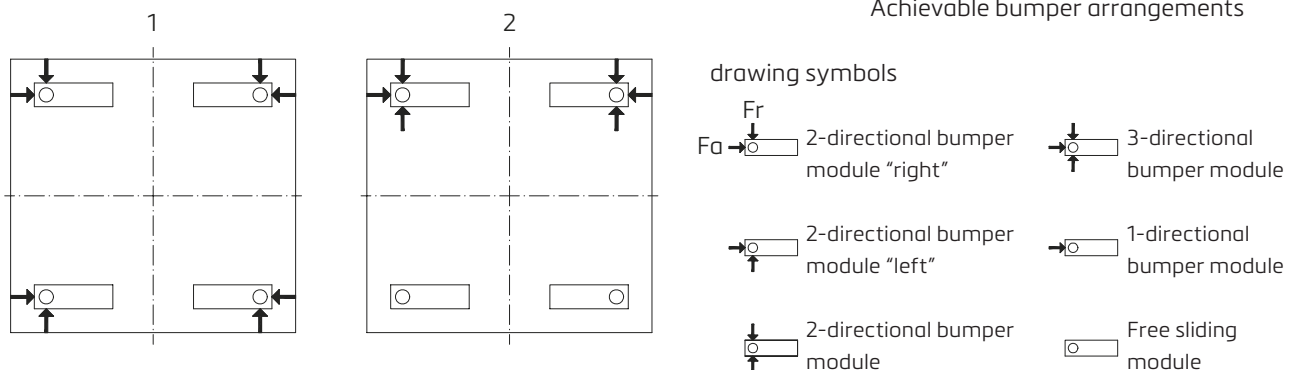
 **flintec**  
quality + precision

## product dimensions (mm)



Load cell type	L1	L2	L3	L4	L5	W1	W2	W3	H1	H2	Weight incl. load cell (kg)
SB2-45 klb	320	281	195	91	15	176	150	150	200	171	54
SB2-100 klb	430	370	235	130	25	260	180	200	284	238	128

## orientation of weigh modules



Dimensions and specifications are subject to change without notice.