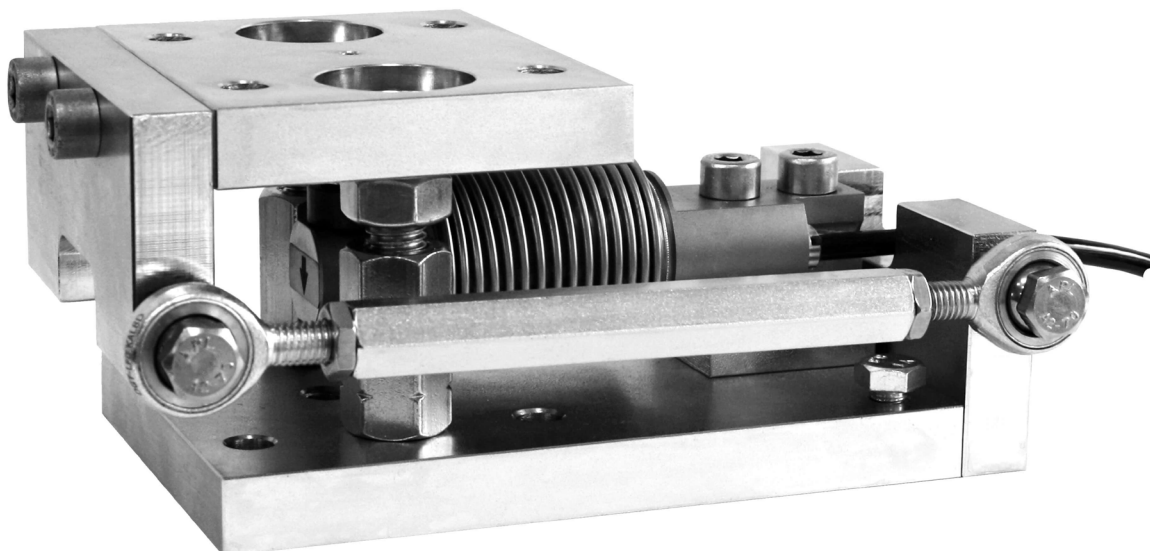


52-28 weigh module



product description

Flintec load cell supports are designed to prevent unwanted forces from affecting load cell performance.

The type 52-28 weigh module is a compact and very cost-effective unit especially designed for load cells in hopper and tank weighing applications. Display resolution down to 100g possible. All modules within a scale are identical and can be freely oriented in any direction. It incorporates an integrated check link to eliminate oscillations caused by slow moving agitators etc. If delivered with a load cell the weigh module will be shipped completely pre-assembled ready for installation by welding or bolting. Especially designed for SB6 and SB8 load cells. Integrated lift-off and overload protection comes as standard.

applications

Tank and vessel weighing systems.

accessories + options

Welding plate

Welding fixture

Weigh module without check link

Stainless steel version

RoHS
compliant

key features

Universal system

Capacity range up to 500kg

Load introduction by ball and socket joint

Low profile

Easy to install

Integrated check link (max. 5kN)

Rod ends assure a tension-free installation and therefore an optimal accuracy/repeatability

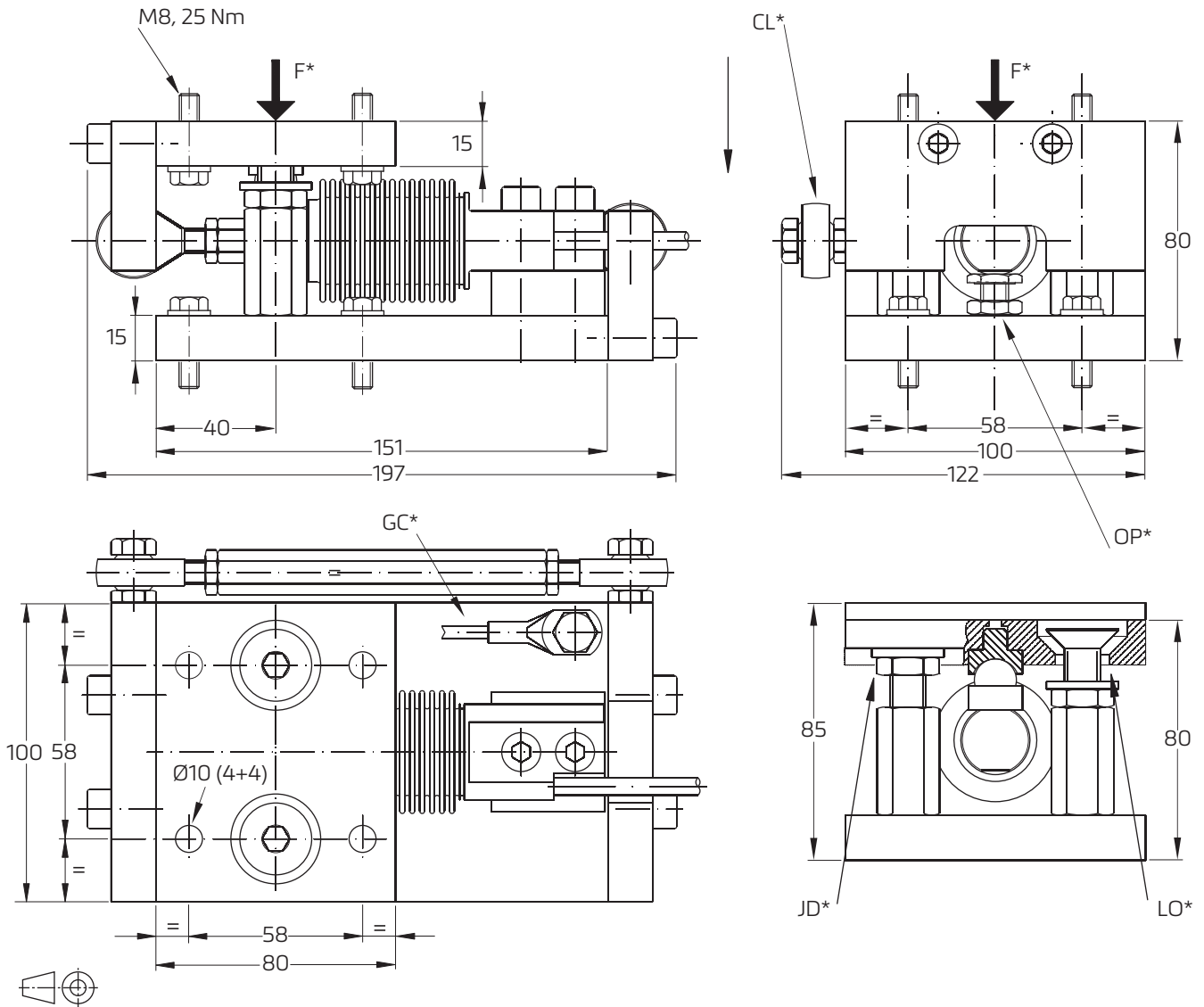
Integrated lift off protection (max. 5kN)

Integrated overload protection

Load cell replacement requires minimum lifting height by integrated jacking device

 **flintec**
quality + precision

product dimensions (mm)



notes

Tank foot and foundation plate to be horizontal:

-within 0.4/100 for legal-for-trade applications;

-within 0.8/100 for general applications.

Maximum force on check link: 5Kn

Maximum force on lift-off-protection: 5kN

key

F^* - Applied force

CL* - Check link (mounted on the right or on the left)

OP* - Overload protection

GC* - Ground cable

JD* - Integrated jacking device (2x M12)

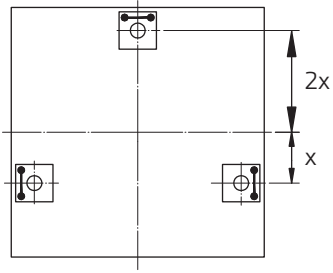
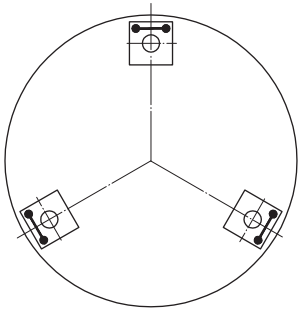
LO* - Integrated lift-off protection (2x M12)

CAD files for customer's own application drawings are available for download from the Flintec homepage.

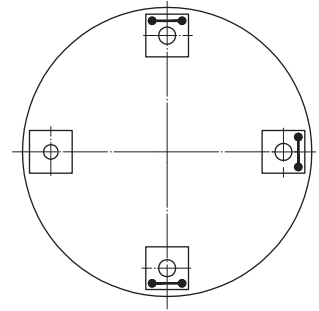
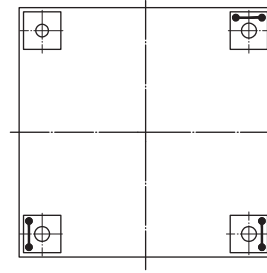


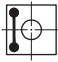

check link orientation

3 load cells



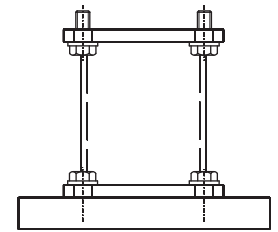
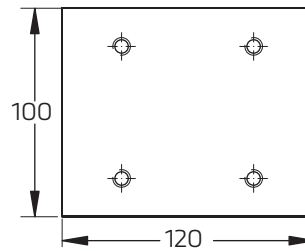
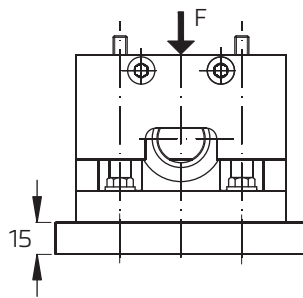
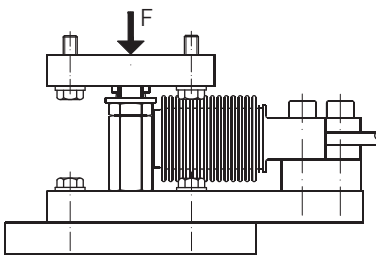
4 load cells



Drawing symbols:  Unit with check link  Unit without check link

available accessories

Welding plate



Welding plate on bottom (shown here), top or both
F* - Applied force

Shown with welding fixture

Specifications and dimensions are subject to change without notice.